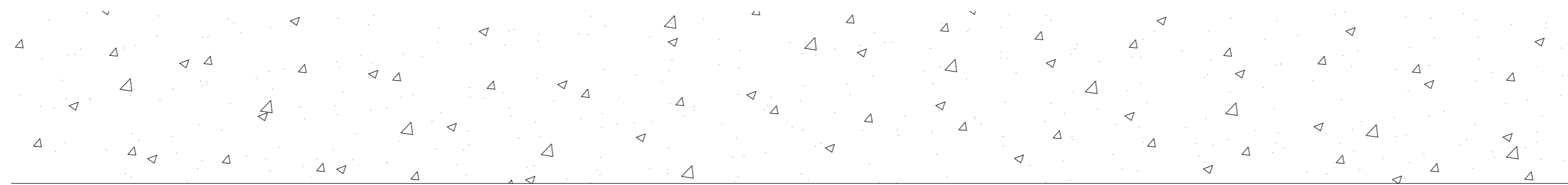


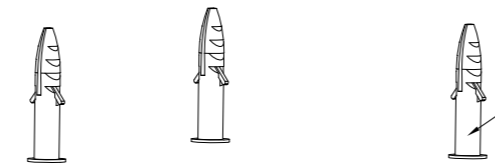
1. Drill the hole on the wall referring to the wall mounting bracket hole position, hole diameter of Ø6mm, position the four Ø6mm plastic expansion screws in the drilled hole.

2. Use four M4*30mm self-tapping screws to mount the wall-mount bracket on the wall.

3. Fix the lower cover of the bracket to the base of the camera with imperial screws (size 1/4-20UNC*3/8).
Note: A layer of the silicone shock-absorbing pad should be positioned between the camera base and the bracket. (It is included in the package.)



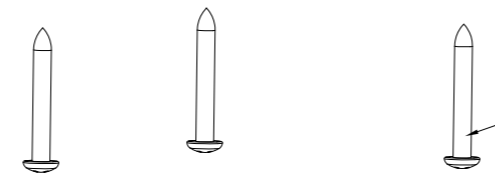
1. Referring to the position of the cover plate holes on the bracket in the concrete ceiling, drill a hole of $\text{Ø}6\text{mm}$, and position 3 plastic expansion screws of $\text{Ø}6\text{mm}$ in the hole.



Upper cover plate of the bracket

Safety locking rope (wire rope)

2. Use three M4*30mm self-tapping screws to mount the bracket the upper cover plate on the ceiling.



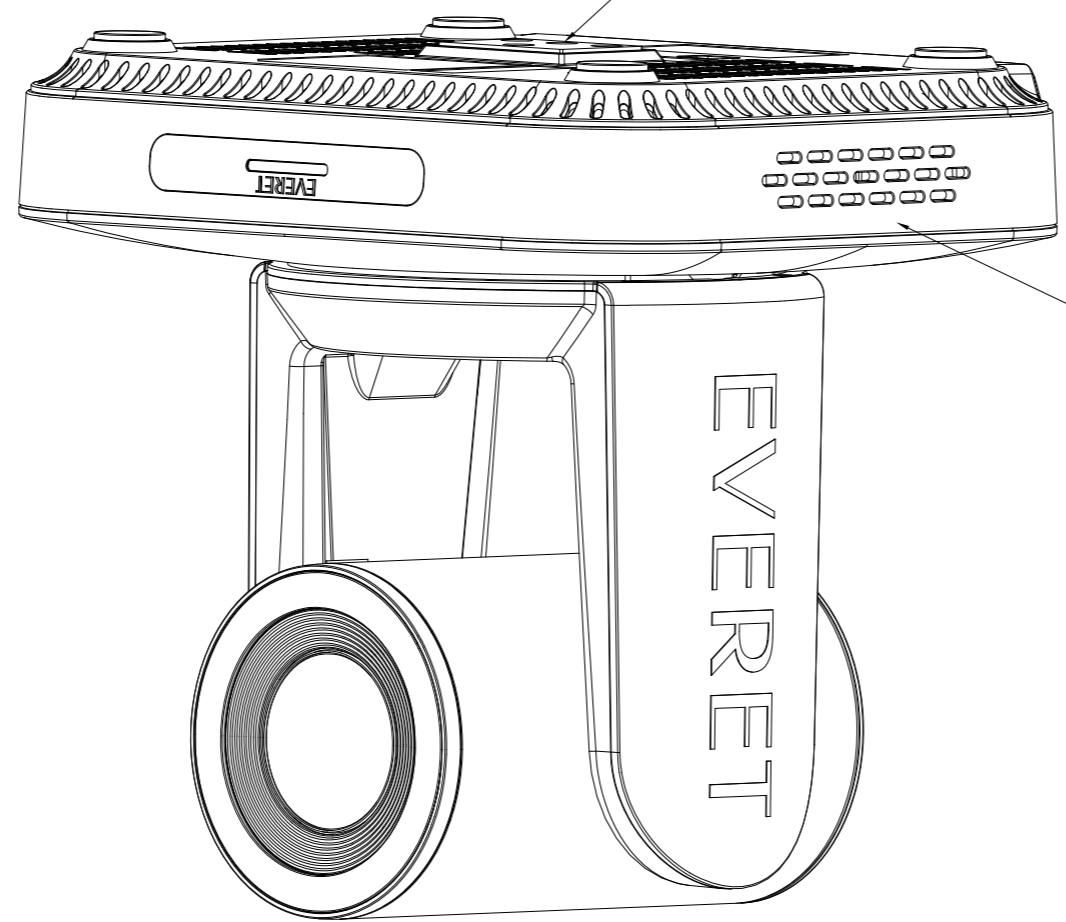
3. Fix the lower cover of the bracket to the base of the camera with imperial screws (size 1/4-20UNC*3/8).
Note: A layer of the silicone shock absorbing pad should be positioned between the camera base and the bracket. (It is included in the package.)

Lower cover of bracket

Buckle

silicone pad

4. Install the camera with both upper and lower cover the bracket, fix the side with M3 * 6mm screws to prevent the camera from felling off.



Camera